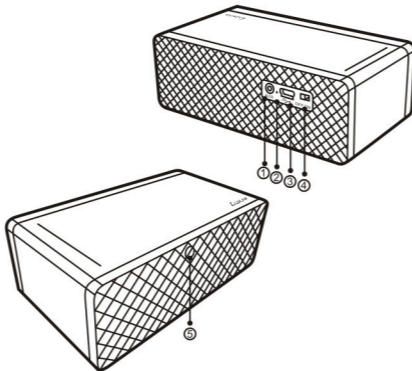


## 1. INTRODUCTION

- 1) The speaker is specially designed for smartphone devices. Simply place your mobile device on top of the speaker and the sound from your device will be magically amplified.
- 2) Supports iOS, Android and other devices. Different audio devices will require different positioning, therefore experiment with the placement of the device until the device and speaker sensors are in alignment.
- 3) Besides this, the GroovyT Magic Boom Box Speaker has an audio-in port which music can also be played.
- 4) Built-in polymer lithium battery supports outer charging and provides up to 5.5 hours of playing time.

## 2. INTERFACE FUNCTION

- 1) Audio in 3.5mm
- 2) LED charging indicator
- 3) Mini-USB charging port
- 4) Power button
- 5) Power on LED



## 3. OPERATION

- 1) Touch OPERATION  
Turn on the GroovyT speaker and align the end with the external speaker of your device via placement line.
- 2) AUDIO IN OPERATION  
Turn on the GroovyT and connect your audio device with the speaker via a 3.5mm audio jack, and the sound will automatically amplified.

## 4. POWER

The GroovyT Magic Boom Box Speaker is charged via Mini-USB and once connected, it will start to charge automatically.

Status	Red LED
Charging	Lights on
Full	Lights off

## 5. NOTE

- 1) The brightness of the working LED light will not be as apparent when power is low, indicating charging may soon be required. Simply charge by mini-USB and once the device is fully charged, the LED light will turn off. Charging time: 3 hours.
- 2) For optimal amplified effect, place your smartphone device near the GroovyT placement line and adjust position until the desired amplified effect is reached.
- 3) Do not disassemble the speaker unless you are an authorized technician.

## 6. BOX CONTENTS

- 1) GroovyT Magic Boom Box Speaker -- 1 PC
- 2) Mini-USB charging cable -- 1 PC
- 3) 3.5 aux in cable -- 1PC
- 4) User manual -- 1 PC

## 7. SPECIFICATION

- 1) Dimension: 130 x 47 x 69 mm
- 2) Weight: 155 g
- 3) Input: DC5V/500ma
- 4) Li-polymer battery capacity battery : 3.7V/ 800 mAh
- 5) Max power: 1250MW
- 6) Frequency response : 20Hz-20 KHZ
- 7) SNR: 65dB
- 8) Horn diameter : 1.5"
- 9) Speaker impedance: 4 Ω
- 10) Continuous working time: 5.5 hours
- 11) Charging time: 3 hours
- 12) Mini USB cable: 1 m
- 13) 3.5 mm Aux-In Cable: 80cm

### Warnings:

- Don't drop, disassemble or attempt to repair the speaker by yourself.
- Avoid exposure to water or high humidity.
- Don't expose to any heat source.



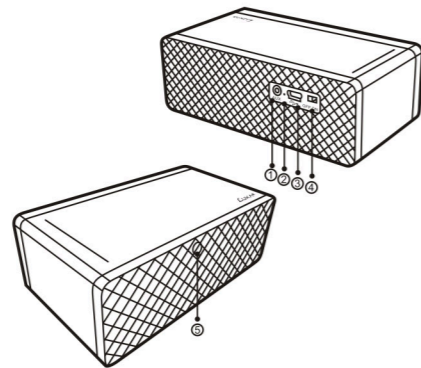
## 繁體中文

### 一、特點簡介

- 1、專為手機設計的感應式喇叭，只需將手機放到小喇叭上，小喇叭即可魔幻般播放出來手機的聲音(無需煩瑣的藍牙連接)。操作非常簡單，使用非常方便。
- 2、感應式喇叭支援絕大部分的 iOS 和 Android 機種。根據每款手持裝置的不同，將會有不同的放置方向與角度；小喇叭另外設有 Audio in 輸入埠，其它產品也可通過這個埠將音訊輸入到喇叭，經喇叭把音訊信號還原出飽滿的音訊；內置聚合物鋰電池，支援外置充電，播放時間長達 5.5 小時。

### 二、介面功能

- 1、3.5 mm 音源線
- 2、紅色充電指示燈
- 3、Mini USB 充電埠
- 4、電源開關
- 5、藍色工作指示燈



### 三、使用方法

- 1、感應式使用方法：  
將喇叭的電源打開；將手機平放在喇叭上（手機外揚聲器垂直對著電源開關這一端）喇叭即魔幻般播放出來手機的聲音。
- 2、Audio in 連接使用方法：  
將喇叭的電源打開；使用 3.5mm 插頭的音源線，將音訊產品與喇叭連接，喇叭即播放出聲音。

### 四、充電方法

用 mini USB 線把喇叭與電源連接，即能自動為喇叭內的電池充電。充電時紅色 LED 燈會亮，快充滿電時 LED 燈會慢慢變暗；充滿電後紅燈滅。

開機狀態	紅燈
充電狀態	紅燈亮
充電完成	紅燈滅

### 五、注意事項

- 1、打開喇叭電源開關（或長時間沒充電）工作指示燈不亮，請用 mini USB 連接線對喇叭內置電池充電，充電時紅色 LED 充電標示燈會長亮，約 3 小時充電完成，紅燈熄滅。
- 2、為求最佳之聲音效果，請將手機平貼喇叭，並適當移動位置找出最佳的聲音位置。
- 3、非專業人士請勿拆卸本產品

### 六、包裝配件

- 1、感應式小喇叭----- 1 個
- 2、Mini USB 迷你連接線---- 1 個
- 3、3.5 mm 音源線----- 1 個
- 4、使用說明書----- 1 個

### 七、規格參數

- 1、尺寸: 130 x 47 x 69 mm
- 2、單個重量: 155 g
- 3、輸入電源: DC 5V / 500 mA
- 4、內置鋰電池: 3.7V / 800 mAh
- 5、最大功率: 1250 mW
- 6、頻率回應: 20 Hz - 20 KHz
- 7、信噪比: 65 dB
- 8、喇叭直徑: 1.5"
- 9、喇叭阻抗: 4 Ω
- 10、工作時間: 5.5 小時
- 11、充電時間: 3 小時
- 12、Mini USB 迷你充電線: 1 M
- 13、3.5 mm 音源線: 80 CM

#### 警告:

- 請勿任意的拆解、摔落或改造喇叭。
- 請勿將移動電源暴露於潮濕的環境。
- 請遠離火源和高溫環境。

Dear Valued Customer,  
In order to protect your consumer rights, please ensure that at the time of purchase you fill out the provided warranty certificate, coupled with the retailer stamp so as to ensure valid warranty.

親愛的顧客您好，為了保障您的權益，請您於購買時，立即請經銷商填寫購買日期並蓋店章，也請妥善保存保固書，才能享有本公司之完整售後服務。

Product Name* (品名*)	
Serial number* (序號*)	
Date of purchase* (購買日期*)	(AD) (Year) (Month) (Date) 西元 年 月 日
Store of purchase (Official stamp required) 經銷店章* (請務必蓋章保固方為有效)	

- Warranty period begins on the date of purchase of brand new, unused products by first-end user. Please retain receipt and warranty certificate as proof of purchase.
- If within, warranty period, the product is determined defective, please return to the original store of purchase for a replacement.
- For additional services, please email info@luxa2.com or contact one of our global offices, of which, details can be found on the previous page.
- 未蓋店章及未填上購買日期，則保固期限以產品序列號所查詢到的出貨日期開始計算。
- 送修流程：聯絡原購買店家 → 退回不良品 → 店家維修 → 返回顧客
- 如需其他服務，請寄電子郵件至 info@luxa2.com 信箱或直接聯繫 LUXA2 全球分公司暨辦事處，詳情請洽 LUXA2 官網 <http://www.luxa2.com.tw/>

Thank you for choosing LUXA2 products. If you have any question, please contact us by the following information. We will reply you as soon as possible.

#### Headquarter

Thermaltake Technology Co., Ltd. - LUXA2 Business Division  
TEL: +886-2-8797-5788  
FAX: +886-2-8797-5199  
E-MAIL: info@luxa2.com  
www.luxa2.com.tw

#### Overseas Branch

Thermaltake U.S.A. - LUXA2 Division  
TEL: +1-626-968-9189  
FAX: +1-626-968-7659  
E-MAIL: info.usa@luxa2.com  
www.luxa2.com